

Helpful Tips for Installing Safety Gates

If you are installing a safety gate in any location other than a wood framed doorway you will need one installation kit for each side of your gate. Our Gate Mount Kits are designed for use with hardware mounted gates only.

Once gates are installed they should always remain closed since an open gate is a safety hazard for both toddlers and adults. Check the hardware frequently after installation to make sure it is secure. Remember, safety gates are not a replacement for adult supervision. Always keep a close eye on young children and follow manufacturer's directions concerning use and removal of safety gates.

This Baluster Mount is designed to give you the ability to mount a child safety gate between wood or metal balusters. This mounting system contains a Top Clamp and a Bottom Clamp. Do not use this mount if your balusters are not properly attached or if you are at all concerned about their integrity.

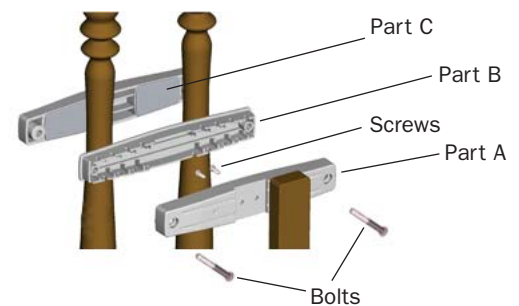
When possible one Clamp should be attached at the very bottom and one at the very top. It may be necessary to raise the Bottom Clamp or lower the Top Clamp depending on the height of the handrail or the configuration of the balusters. An example of this is at the bottom of the staircase when one baluster is on a higher step than the other. In this case the Bottom Clamp must be mounted at the height of the higher step.

Kit Contents

2 Clamp Front pieces-Part A
2 Clamp Front pieces-Part B
This piece can be oriented two ways to adjust for different thickness needs. Rotating the Back Piece 180 degrees results in a thicker or thinner clamp. This is usually necessary when mounting the Top Clamp to balusters that taper toward the top or when mounting

requires you to adjust both Clamps so that the vertical rail clears the handrail.
2 Clamp Back pieces-Part C
4 screws
4 long bolts
4 short bolts
1 36" wood rail

The screws & bolts are packaged in the clamp front between the front and back pieces.



Mounting Instructions

1. Read the safety gate manufacturer's instructions before installing any safety gate.
2. Determine the height of the Clamps and mark the vertical rail.
3. Separate the two pieces of the Clamp Front Piece. Drill two 1/8" pilot holes. Attach one of the Clamp Front pieces (Part A) to the top of the vertical rail and one to the bottom of the vertical rail using the two supplied screws for each piece. (Fig. 1).
4. Insert the Back Piece of the Front Clamps, reversing to the correct side so they mount with the proper thickness for your installation. (Fig. 2).
5. Insert the supplied bolt (two different lengths are provided) that will have the least amount of exposure through the Clamp Back Piece and screw partially into the Back Clamp. Do this for both the Top Clamp and the Bottom Clamp. (Fig. 3).
6. Adjust Clamps so that rubber is in contact with your balusters.
7. Use a level to check that your vertical rail is both straight and perpendicular to the floor.
8. Tighten the Clamps.
9. Install child safety gate per manufacturer's instructions.

We recommend using a safety gate that can be mounted on an angle since the 36" wood rails will probably not be able to be mounted directly across from each other.

Need more help? Send an email with photos of your gate location to gates@safebeginnings.com. Please indicate "Gate Photos" in the subject area and we will contact you with our recommendations.

Safety Innovations™

Safety Innovations™ is a division of Safe Beginnings, Inc.
13 Alexander Road Billerica, MA 01821
800-598-8911 safebeginnings.com

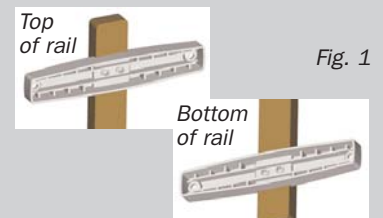


Fig. 1

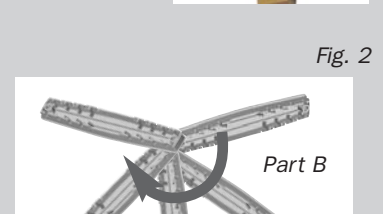
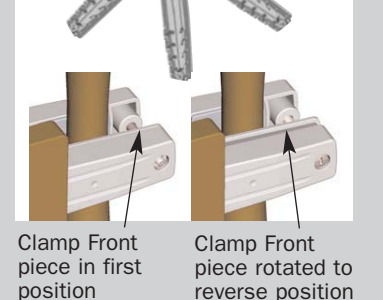


Fig. 2



Clamp Front piece in first position

Clamp Front piece rotated to reverse position

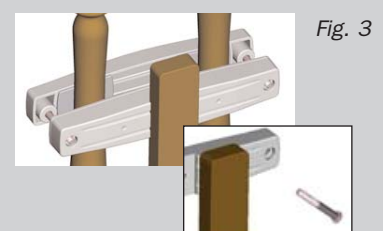


Fig. 3