

# Guardian Angel™

## WINDOW GUARDS

# Installation Instructions and Important Safety Information

Please read through these instructions prior to installing window guard.  
Failure to follow these directions may result in accidental window fall.

If you are installing this unit for another occupant, you must provide  
them with this booklet.

Installation Instructions	Pages 1-3
Double Hung Windows	Page 1
Sliding Windows	Page 2
Casement Windows	Page 3
Safety Information	Page 4
Removal Instructions	Page 5

**Contact Automatic Specialties, Inc. for further information  
or technical assistance.  
1-800-445-2370  
[www.auspin.com](http://www.auspin.com)**

### LIFETIME WARRANTY

Automatic Specialties, Inc. warrants to the original purchaser that each Guardian Angel Window Guard will be free from defects in materials and manufacture for as long as you own it. The warranty does not cover normal wear and tear. Warranty valid for a replacement guard of equal or less value of original guard only. Replacement can be obtained by contacting Automatic Specialties, Inc. Return and shipping instructions will be provided. Proof of purchase including packing slip, invoice, or receipt is required for all returns.

Limitation of Liability: Except where prohibited by law, Automatic Specialties will not be liable for any loss and/or damage arising from this product or incurred during installation, removal, or replacement.

# Installation Instructions

## Double Hung Windows

**Tools Required for Installation:** Ruler, Screwdriver  
Metal Frame Window - Drill with 1/8 or 9/64 Drill Bit

**Parts Included:** 2 Side Posts, 1 Telescoping Grid, 1 Hardware Pack (4 screws, 4 plastic end caps, instruction booklet)

**Please review the instructions, warnings, and safety notes prior to installing guard.**  
For technical assistance, contact Automatic Specialties, Inc. at 1-800-445-2370.

### Installing inside window frame

1. Be sure telescoping grid is snapped securely into side posts.
2. Position full assembly inside window frame. Mount side post with Guardian Angel logo on left side of window.  
**Note:** Leave enough space between the guard and window so that normal operation of window is not restricted. **Be sure there is no more than a 4 inch opening anywhere in the guarded area.**

3. Fasten guard to window frame using the 4 screws provided. Keep the guard level from one side to the other. Screws should be fastened into a solid stud or frame to achieve maximum safety. **Note:** Steel framed windows, pre-drill with a 9/64 drill bit. Aluminum framed windows, pre-drill with a 1/8 drill bit.

4. After installation, test guard for proper quick-release operation. The window guard can be quickly removed using the 2 or 4 emergency release buttons (depending on style). See removal instructions.

5. Re-insert bars into side posts after removing. Hold bars so that silver-colored emergency release labels are facing you. Place bars into the holes of one of the posts while pressing emergency release button(s) on that end. Press emergency release button(s) on remaining end and slide bars into the holes. (If the bars do not fit into the holes, you may be putting the wrong end into the post). Pull on unit to be sure it is locked into both posts securely.

### Installing outside window frame

**Note:** Install outside window frame when guard will not fit inside frame and allow normal window operation. Follow above instructions with guard mounted outside of window frame (on wooden trim or wall).

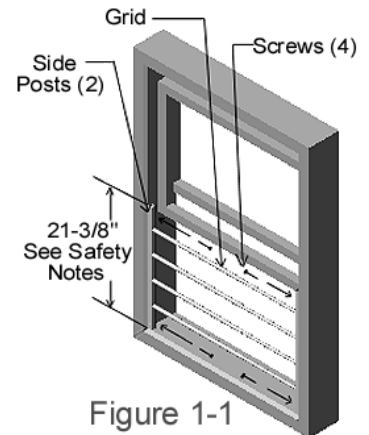


Figure 1-1

### Safety Notes

- Before installation, verify building and fire codes are not being violated. Contact local building code department or fire department for specific codes.
- Screws should be anchored firmly into a solid stud or frame material to achieve maximum safety.
- This window guard is intended to protect against potential window falls by children age 5 & under.
- If necessary, use window stops to prevent the window from opening above the top of side posts (21 3/8"). An arrow on the left side post indicates this height. Window stops are available at many hardware and online stores.
- Parents, child-care custodians, and older children must understand the operation of this window guard in case of an emergency.
- Window guards are designed to be a deterrent to accidental window falls. This product is not intended as a substitute for proper adult supervision.
- Guardian Angel Window Guards are not meant to protect against intruders.

## **⚠ WARNING** Possible Fall Hazard

- Young children may fall out of the window if the window guard is not installed correctly.
- Check to be sure there are no openings in the guarded area more than 4 inches wide.
- Young children may fall out of the window if all installation instructions are not followed:
- Use recommended materials and techniques.
  - Make sure window guard is securely attached to the window frame.
  - Make sure the window frame is in good condition.

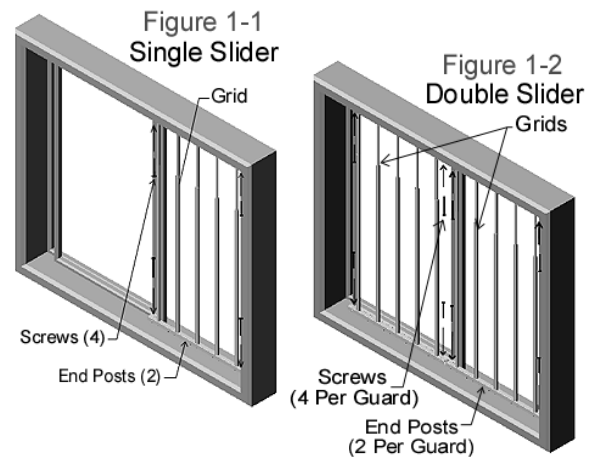
**Tools Required for Installation:** Ruler, Screwdriver  
Metal Frame Window - Drill with 1/8 or 9/64 Drill Bit

**Parts Included:** 2 End Posts, 1 Telescoping Grid, 1 Hardware Pack (4 screws, 4 plastic end caps, instruction booklet)

**Please review the instructions, warnings, and safety notes prior to installing guard.  
For technical assistance, contact Automatic Specialties, Inc. at 1-800-445-2370.**

### Installing inside window frame

1. Be sure telescoping grid is snapped securely into end posts.
2. Position full assembly inside window frame. Mount end post with Guardian Angel logo on bottom window frame.  
**Note:** Leave enough space between the guard(s) and window so that normal operation of window is not restricted.  
**Be sure there is no more than a 4 inch opening anywhere in the guarded area.**
3. Fasten guard(s) to window frame using the 4 screws provided. Screws should be fastened into a solid stud or frame to achieve maximum safety. **Note:** Steel framed windows, pre-drill with a 9/64 drill bit. Aluminum framed windows, pre-drill with a 1/8 drill bit.
4. After installation, test guard(s) for proper quick-release operation. The window guard(s) can be quickly removed using the 4 emergency release buttons. See removal instructions.
5. Re-insert bars into end posts after removing. Hold bars so that silver-colored emergency release labels are facing you. Place bars into the holes of one of the posts while pressing emergency release button(s) on that end. Press button(s) on remaining end and slide bars into the holes. (If the bars do not fit into the holes, you may be putting the wrong end into the post). Pull on unit to be sure it is locked into both posts securely.



### Installing outside window frame

**Note:** Install outside window frame when guard(s) will not fit inside frame and allow normal window operation. Follow above instructions with guard(s) mounted outside of window frame (on wooden trim or wall).

### Safety Notes

- Before installation, verify building and fire codes are not being violated. Contact local building code department or fire department for specific codes.
- Screws should be anchored firmly into a solid stud or frame material to achieve maximum safety.
- If using a window stop to prevent window from opening completely, center guard on opening and be sure there are no openings in the guarded area more than 4 inches wide.
- This window guard is intended to protect against potential window falls by children age 5 & under.
- Parents, child-care custodians, and older children must understand the proper operation of this window guard in case of an emergency.
- Window guards are designed to be a deterrent to accidental window falls. This product is not intended as a substitute for proper adult supervision.
- Guardian Angel Window Guards are not meant to protect against intruders.

## **⚠️ WARNING** **Possible Fall Hazard**

- Young children may fall out of the window if the window guard is not installed correctly.
- Check to be sure there are no openings in the guarded area more than 4 inches wide.
- Young children may fall out of the window if all installation instructions are not followed:
- Use recommended materials and techniques.
  - Make sure window guard is securely attached to the window frame.
  - Make sure the window frame is in good condition.

# Installation Instructions

## Casement Windows

**Tools Required for Installation:** Ruler, Screwdriver  
Metal Frame Window - Drill with 1/8 or 9/64 Drill Bit

**Parts Included:** 2 End Posts, 1 Telescoping Grid, 1 Hardware Pack (4 screws, 4 plastic end caps, instruction booklet)

**Please review the instructions, warnings, and safety notes prior to installing guard.  
For technical assistance, contact Automatic Specialties, Inc. at 1-800-445-2370.**

### Installing inside window frame

1. Be sure telescoping grid is snapped securely into end posts.

2. Position full assembly inside window frame. Mount end post with Guardian Angel logo on bottom window frame.

**Note:** Leave enough space between the guard(s) and window so that normal operation of window is not restricted. **Be sure there is no more than a 4 inch opening anywhere in the guarded area.**

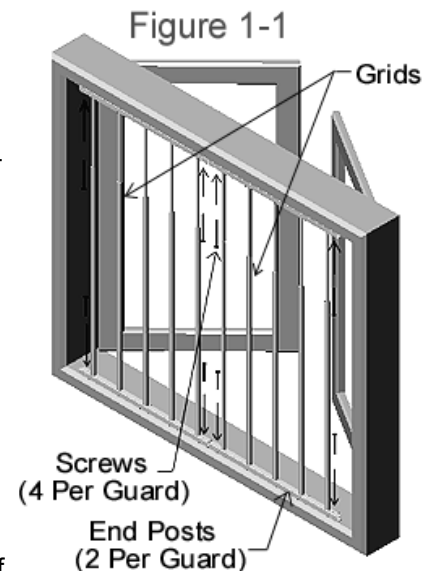
3. Fasten guard(s) to window frame using the 4 screws provided. Screws should be fastened into a solid stud or frame to achieve maximum safety. **Note:** Steel framed windows, pre-drill with a 9/64 drill bit. Aluminum framed windows, pre-drill with a 1/8 drill bit.

4. After installation, test guard(s) for proper quick-release operation. The window guard(s) can be quickly removed using the 4 emergency release buttons. See removal instructions.

5. Re-insert bars into end posts after removing. Hold bars so that silver-colored emergency release labels are facing you. Place bars into the holes of one of the posts while pressing emergency release button(s) on that end. Press emergency release button(s) on remaining end and slide bars into the holes. (If the bars do not fit into the holes, you may be putting the wrong end into the post). Pull on unit to be sure it is locked into both posts securely.

### Installing outside window frame

**Note:** Install outside window frame when guard(s) will not fit inside frame and allow normal window operation. Follow above instructions with guard(s) mounted outside of window frame (on wooden trim or wall).



### Safety Notes

- Before installation, verify building and fire codes are not being violated. Contact local building code department or fire department for specific codes.
- Screws should be anchored firmly into a solid stud or frame material to achieve maximum safety.
- This window guard is intended to protect against potential window falls by children age 5 & under.
- Parents, child-care custodians, and older children must understand the proper operation of this window guard in case of an emergency.
- Window guards are designed to be a deterrent to accidental window falls. This product is not intended as a substitute for proper adult supervision.
- Guardian Angel Window Guards are not meant to protect against intruders.

## **! WARNING** Possible Fall Hazard

Young children may fall out of the window if the window guard is not installed correctly.

- Check to be sure there are no openings in the guarded area more than 4 inches wide.

Young children may fall out of the window if all installation instructions are not followed:

- Use recommended materials and techniques.
- Make sure window guard is securely attached to the window frame.
- Make sure the window frame is in good condition.

# Important Safety Information

\*Installer: Leave safety information behind for the occupant.

## ⚠️ WARNING Possible Fall Hazard



If window guard is too small for the window opening, accidental falls can result.

Follow manufacturer's assembly and installation instructions carefully. Failure to do so may result in accidental window falls.

Check to be sure there are no openings in the guarded area more than 4 inches wide.

This window guard is designed to protect against accidental window falls by children five years and younger.

This window guard is not a substitute for careful supervision of all young children.

Keep window guard closed securely unless needed for use in an emergency.

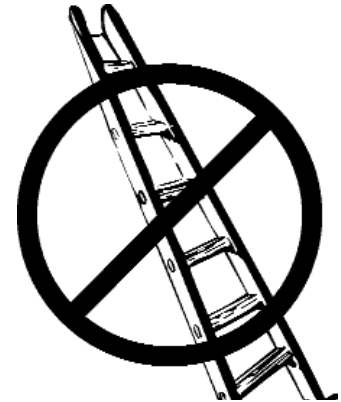


## ⚠️ WARNING No Window Rescue Above 75 ft (6th Floor)



Fire rescue ladder may not reach beyond 75 ft (6th floor).

Fire escape windows above 75 ft (6th floor) should not be relied upon for fire escape. Follow building fire escape plan.



## ⚠️ WARNING Blocks Escape in Fire and Emergency Unless Released



Need to properly operate release mechanism to open window guard:

1. Locate all emergency release buttons indicated by silver-colored labels.
2. **Two-button model:** press and hold down buttons. **Four-button (double hung):** press both buttons on one end at the same time and hold down. **Four-button (casement/sliding):** press both buttons on top of guard at same time and hold down.
3. While holding down the buttons, slide the tubes towards the center of the window.
4. **Two-button model:** release buttons. **Four-button (double hung):** release buttons & repeat steps 2 & 3. **Four-button (casement/sliding):** release buttons & repeat steps 2 & 3 with bottom buttons.
5. Bars should now be dislodged. Remove guard from window.

Never apply padlocks or devices that require a key or tool to unlock them from the release mechanism and/or window guard.

# Removal Instructions

## Double Hung, Casement, and Sliding Windows

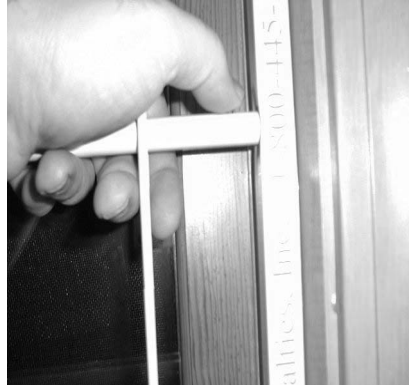
\*Installer: Leave instructions behind for the occupant.

- Remove window guard only in case of an emergency or if conducting a test on release mechanisms.
- Release mechanism and releasable window guard should be tested once a month to ensure proper operation.
- All household members 6 years and older should know how to operate the release mechanism in case of an emergency.
- Window guard must be re-installed into window frame after removing (see directions below). Be sure to check that it is securely locked into both posts.



### Step 1

Locate all emergency release buttons indicated by silver-colored labels.



### Step 2

**Two-button model:**

press and hold down buttons.

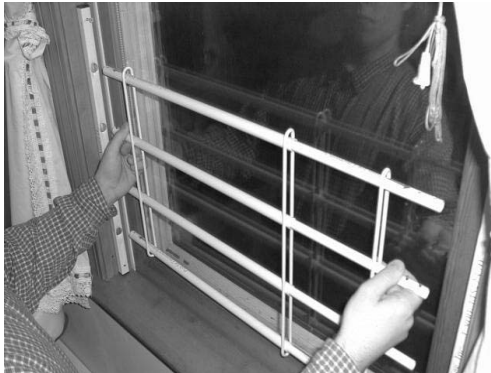
**Four-button model (double hung):**  
press both buttons on one end at the same time and hold down.

**Four-button model (casement/sliding):**  
press both buttons on top of guard at the same time and hold down.



### Step 3

While holding down the buttons, slide the tubes towards the center of the window.



### Step 4

**Two-button model:** release buttons.

**Four-button model (double hung):** release buttons & repeat steps 2 & 3.

**Four-button model (casement/sliding):** release buttons & repeat steps 2 & 3 with bottom buttons.



### Step 5

Bars should now be dislodged from posts. Remove guard from window.

**To Re-install:** Hold bars so that silver-colored emergency release labels are facing you. Place bars into the holes of one of the posts while pressing emergency release button(s) on that end. Press emergency release button(s) on remaining end and slide bars into the holes. (If the bars do not fit into the holes, you may be putting the wrong end into the post). Pull on unit to be sure it is locked into both posts securely.